



**THE BEST CUTTING  
STINGER IN THE INDUSTRY**



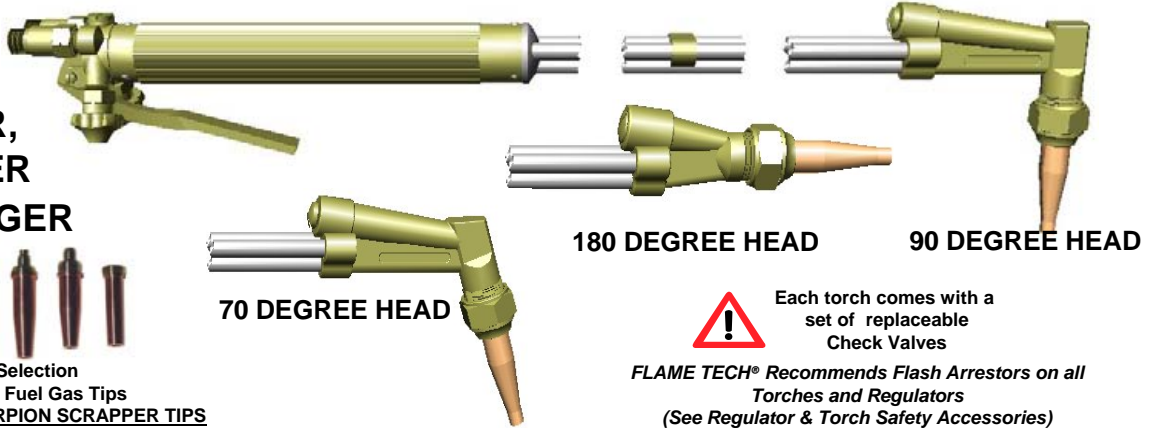
**NEW 6000 SERIES - UP TO 12" OF CUTTING**

**SAFER,  
LIGHTER  
& STRONGER**



See our Complete Selection  
of Acetylene & Alternate Fuel Gas Tips

ASK ABOUT OUR FAMOUS SCORPION SCRAPER TIPS



70 DEGREE HEAD

180 DEGREE HEAD

90 DEGREE HEAD



Each torch comes with a  
set of replaceable  
Check Valves

FLAME TECH® Recommends Flash Arrestors on all  
Torches and Regulators  
(See Regulator & Torch Safety Accessories)

**SOLID FORGED HEAD**

Long life, Resists distortion from abuse  
Maximum service with minimum maintenance

**EXTERNAL CHECK VALVES**

Easily replaced on the job. Prevents reverse flow  
Flame Tech® Recommends Flash Arrestors Style GG  
See Check Valves & Flash Arrestors Section in Catalog

**INJECTOR/MIXER**

Mixer in head to reduce burn back in tubes  
Maximum design strength, ¼ lb per foot lighter

**LIGHT WEIGHT, TRIANGULAR STAINLESS TUBES**

Safer than tube mixing designs

**FLAME TECH MANUFACTURED CUTTING TORCHES**  
(Designed for Rugged Environments and Customized the Way You Want it!)  
(Hand Cutting, Scrap Yards, Mill & Foundry Applications)

**MODELS & SIZES**

FLAME TECH'S new 6000 series torches are designed for heavy duty hand held applications for the steel mill, foundry or scrap yard environment where up to 12" cutting is required. These torches come in 21, 36, 48, 72, 96, and 120" lengths. Custom lengths are also available upon request. See our 7,000, 8000 and 9000 series for 18", 44" and 60" Cutting capabilities.

**ORDERING /PART NUMBERS**

FLAME TECH® uses an identification system that consists of numbers and letters to identify the manufacture model, size, gas, and style head on our torches. Below are examples for our Heavy Duty Hand Torches. SEE PRICE LIST for complete offering.

6200 Series-Compatible with Harris® Seat 6300 Series-Compatible with Victor® Seat 6400 Series-Compatible with Oxweld® Seat 6500 Series-Compatible with Airco® Seat

**EXAMPLE:**

6321-A90 = 63 indicates the series of torch you are ordering (VICTOR® compatible torch)

63-21-A90 = 21 indicates the length of torch you are ordering (21 inches long)

6321-A90 = **A** indicates the type of gas - **A** - for Acetylene

**F** - for maximum performance with Fuel Gas only (**not for acetylene**)

6321-A90 = 90 indicates the degree of the head (70°, 90°, or 180°)